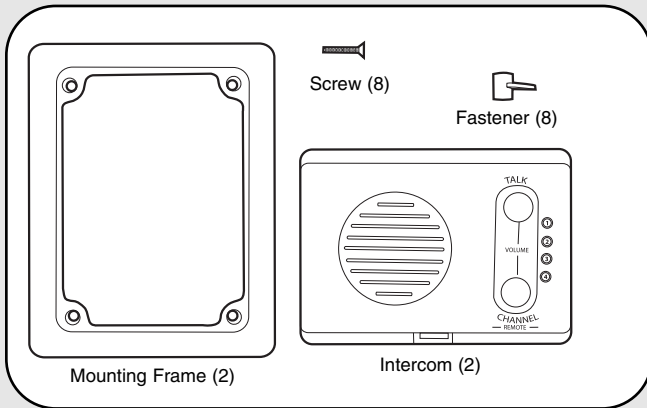


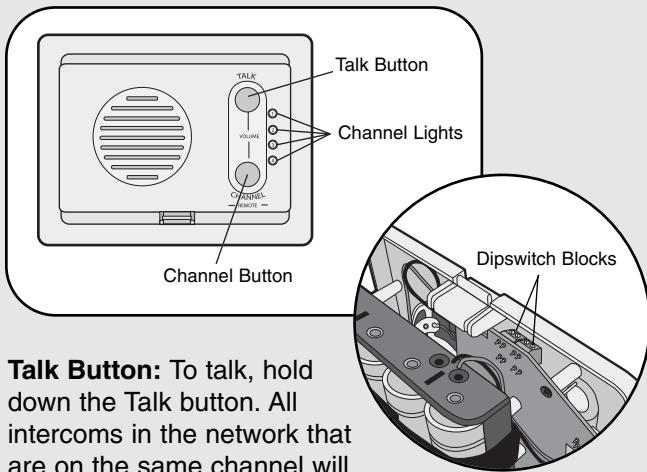
### Overview

The Intercom has up to a 1000' range and allows multiple simultaneous conversations, using a 900 Mhz secure digital radio link. The intercoms form an exclusive network and respond only to other intercoms in the network.

### Carton Inventory



### Operation & Features

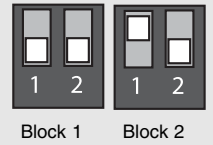


**Talk Button:** To talk, hold down the Talk button. All intercoms in the network that are on the same channel will receive the signal. Release the Talk button when done talking and within 10-15 seconds press and hold the Talk button of a different intercom to make a secure channel between the two. Once the channel is made the other intercoms in the network cannot hear the conversation.

**Volume:** Hold down the Talk button and press the Channel button repeatedly to cycle through the volume levels.

**Channel Button:** Press the Channel button to set intercom to one of four secure channels or the paging channel. The default channel for the intercom is the paging channel where all four channel lights are lit. An intercom on a channel can only hear an intercom on the same channel or on the paging channel.

**Conference Mode:** Conference Mode allows multiple intercoms to participate in a conversation compared to Normal Mode in which only two intercoms can communicate.

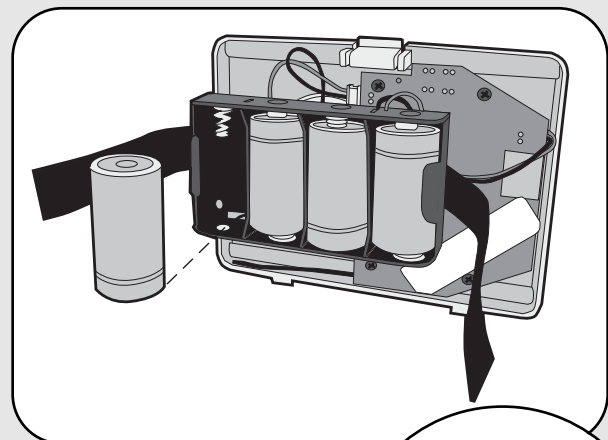


All intercoms must be set to the same channel or the paging channel to be in Conference Mode. To place intercoms in Conference Mode set Dipswitch #1 on block 2 to the UP position.

**Battery:** When batteries are low intercom will emit two beeps every ten minutes. Replace with C batteries (not provided).

**NOTE:** To prevent damage to the circuit **DO NOT** use C size Lithium batteries.

### Assemble Intercom



Install 4 C batteries (not provided). Secure batteries with fastening strip. LEDs will light.

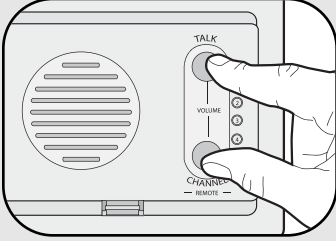
**NOTES:**

- Ensure that the batteries are securely fastened or they may fall out during installation.
- To prevent damage to the circuit **DO NOT** use C size Lithium batteries.

## Programming Intercom

The intercom must be programmed to at least one other intercom to become a network or it can be programmed into an existing network.

### Create New Network

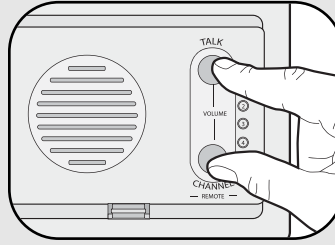


Press and hold both buttons on the intercom for 5 seconds. An initial beep will be heard followed by a second beep. The channel lights will flash. Within 10 seconds put the second intercom into Learn Mode (refer to table below).

INTERCOM	LEARN MODE
	Press the Learn button until a beep is heard.
	Press and hold both buttons for 5 seconds.

Each intercom will emit a tone when programmed into network. Repeat for any additional intercoms.

### Add to an Existing Network



Press and hold both buttons on the new intercom for 5 seconds. An initial beep will be heard followed by a second beep. The channel lights will flash. Within 10 seconds put any networked intercom into Learn Mode (refer to table below).

INTERCOM	LEARN MODE
	Press the Learn button until a beep is heard.
	Press and hold both buttons for 5 seconds.

Each intercom will emit a tone when programmed into network. Repeat for any additional intercoms.

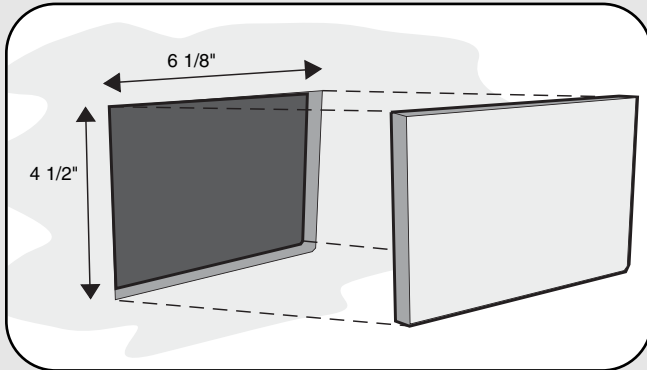
# Installation

## Step 1

Choose mounting locations where both intercoms will work when tested.

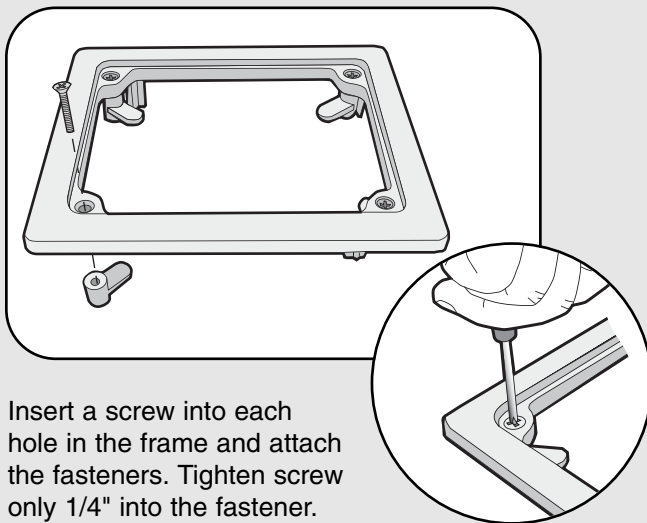
### NOTES:

- The wall location should be clear of beams and other obstructions inside the wall.
- Do not mount intercoms within 6' of each other.
- Do not mount intercom near any electrical wiring or electrical devices.



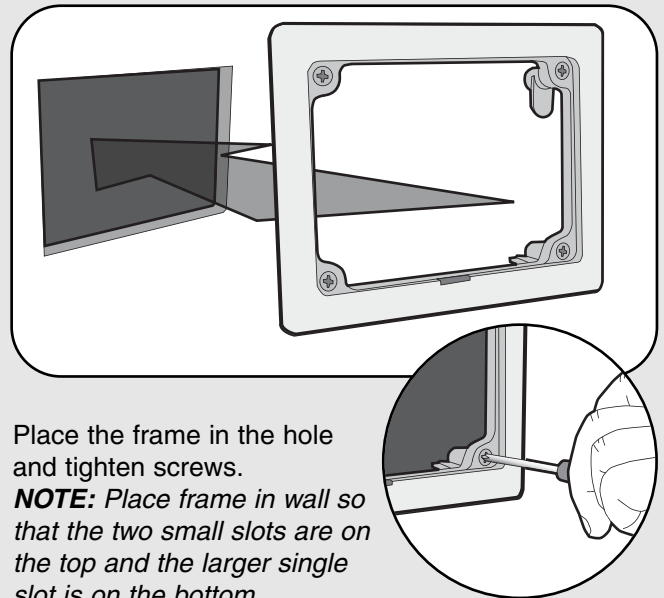
Cut a hole in the wall measuring 6 1/8" wide by 4 1/2" high.

## Step 2



Insert a screw into each hole in the frame and attach the fasteners. Tighten screw only 1/4" into the fastener.

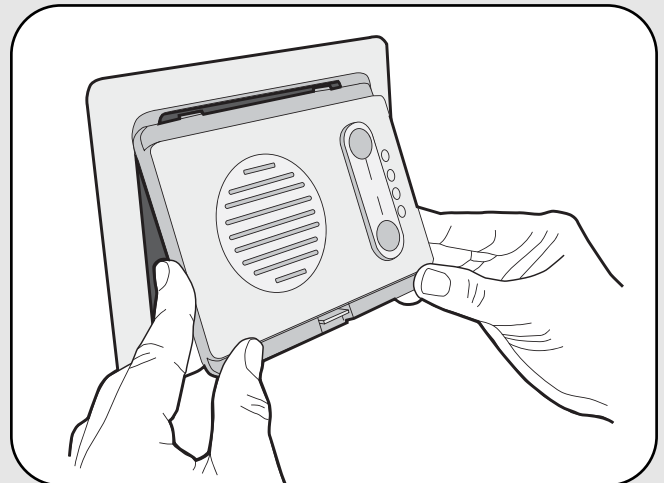
## Step 3



Place the frame in the hole and tighten screws.

**NOTE:** Place frame in wall so that the two small slots are on the top and the larger single slot is on the bottom.

## Step 4



Place intercom in frame by inserting top section first, then snapping the lower section into place.

## Troubleshooting

### Intercom does not function.

It is normal for LEDs to go out if intercom has been inactive for 5 minutes. The LEDs should light after a button is pressed or a signal is received.

Check batteries in Intercom.

Ensure intercom is connected to a network.

See Programming Intercom.

Ensure that intercoms are on the same channel. See Operation & Features.

### Intercom is not getting expected transmission range.

Keep Intercom away from trees, metal objects and electrical wiring.

### Intercom beeps every ten minutes.

The battery is low in the intercom. Replace with C batteries.

**NOTE:** To prevent damage to the circuit **DO NOT** use C size Lithium batteries.

### Need to clear intercom's memory.

Press and hold both buttons. Two beeps will be heard and the channel lights will begin to cycle. Continue to hold until a third beep is heard (about 15 seconds). Ensure other intercoms are not activated during this time. Intercoms in the network that are on will signal during the clearing process. Once memory is clear the intercom can be programmed to a new network.

### Static and feedback is heard in intercom.

The intercoms are too close to each other. A cordless phone, cell phone, or other radio device can also cause static.

**FOR TECHNICAL SUPPORT DIAL OUR TOLL FREE NUMBER:**

**1-800-528-9131**

**[www.chamberlain-DIY.com](http://www.chamberlain-DIY.com)**

NOTICE: To comply with FCC and or Industry Canada rules (IC), adjustment or modifications of this receiver and/or transmitter are prohibited, except for changing the code setting or replacing the battery. THERE ARE NO OTHER USER SERVICEABLE PARTS.

Tested to Comply with FCC Standards FOR HOME OR OFFICE USE. Operation is subject to the following two conditions: (1) this device may not cause harmful interference, and (2) this device must accept any interference received, including interference that may cause undesired operation.